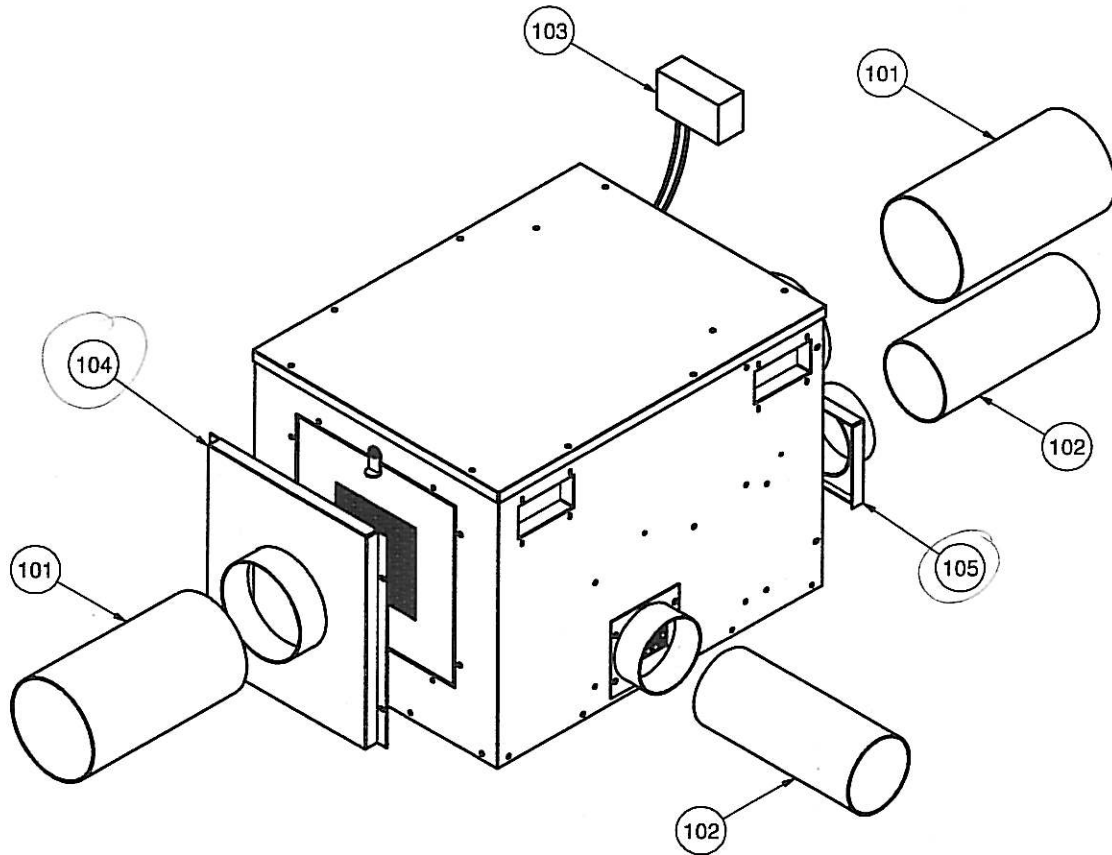
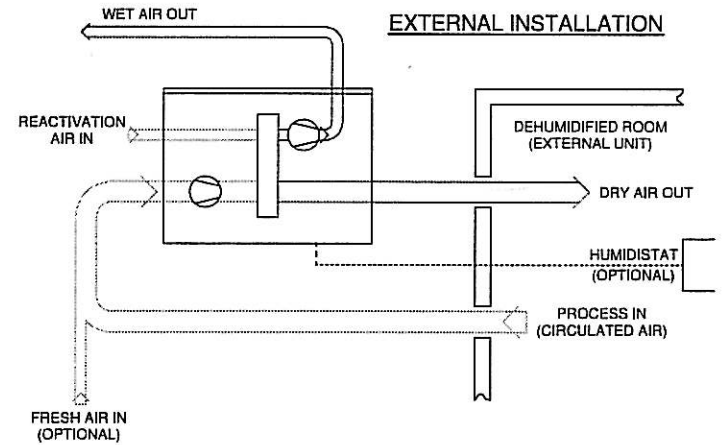
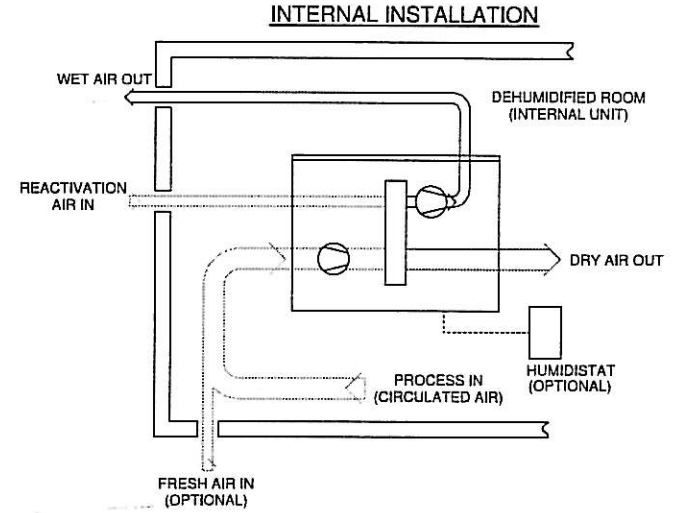


ISS.	DATE	COMMENTS
1	22/11/10	ORIGINAL
2	23/06/14	PLAN VIEW ADDED TO SHEET 1 - WDA
3	04/08/14	INSTALLATION SHEET ADDED - WDA



Parts List			
ITEM	QTY	PART NUMBER	DESCRIPTION
101	2	3110455	130mm HIGH TEMP DUCT
102	2	3110454	102mm HIGH TEMP DUCT
103	1		HUMIDISTAT
104	1	1050013	PROCESS DUCT ADAPTOR PLATE
105	1	1050016	REGEN DUCT ADAPTOR PLATE



	BISHOP AUCKLAND Cn. DURHAM ENGLAND	TITLE	
		DD400 INSTALLATION	
3RD ANGLE PROJECTION 	DIMENSIONS IN m.m. TOLERANCES UNLESS OTHERWISE STATED 0. ± 1 0.0 ± 0.25 0.00 ± 0.05 ANGULAR ± 0.5 DEGREE	MATERIAL	N/A
		FINISH	N/A
DO NOT SCALE IF IN DOUBT ASK		DRAWN:	W DAGLISH
		CAD SCALE:	1/6
		DRG.NO.	1050000
		SHEET	1 OF 1